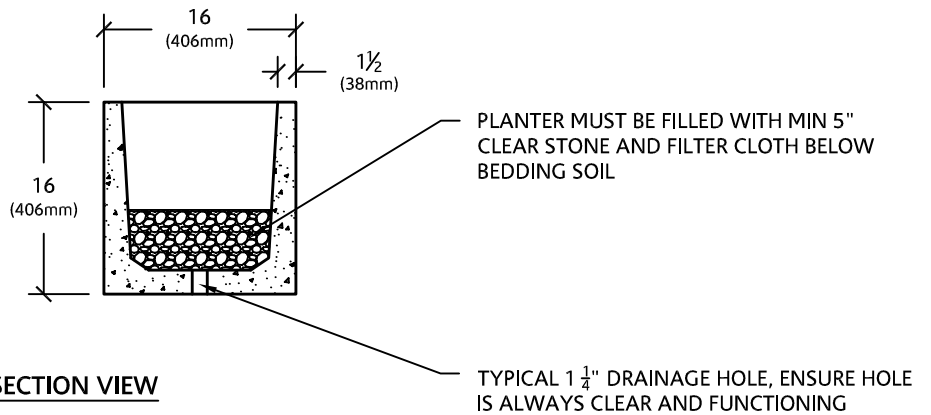


**PLAN VIEW**



**SECTION VIEW**

**NOTES:**

1. CONTRACTOR TO REFER TO ARCHITECTURAL SPECIFICATIONS FOR COLOUR, FINISH AND VALUE ADDED FEATURES
2. SUBMIT COLOUR AND FINISH SAMPLES FOR APPROVAL
3. WEIGHT OF SQUARE SQ161616 PLANTER - 160 lbs



**SQUARE PLANTER**

**SQ161616**

ED'S CONCRETE PRODUCTS  
 1266 ERIE STREET  
 STRATFORD, ONTARIO  
 N4Z 0A1

1-877-265-6590  
 www.edskoncrete.com  
 info@edskoncrete.com

