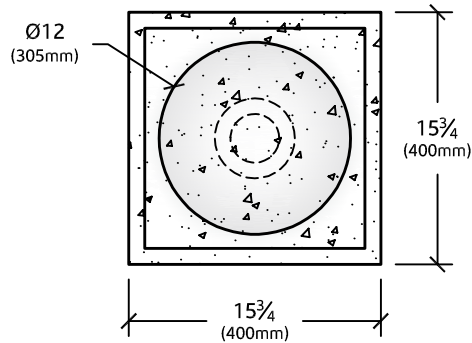


**ELEVATION VIEW**



**PLAN VIEW**

**NOTES:**

1. CONTRACTOR TO REFER TO ARCHITECTURAL SPECIFICATIONS FOR COLOUR, FINISH AND VALUE ADDED FEATURE.



**PRECAST POST CAP**

**BLB12**

ED'S CONCRETE PRODUCTS  
1266 ERIE STREET  
STRATFORD, ONTARIO  
N4Z 0A1

1-877-265-6590  
www.edskoncrete.com  
info@edskoncrete.com

