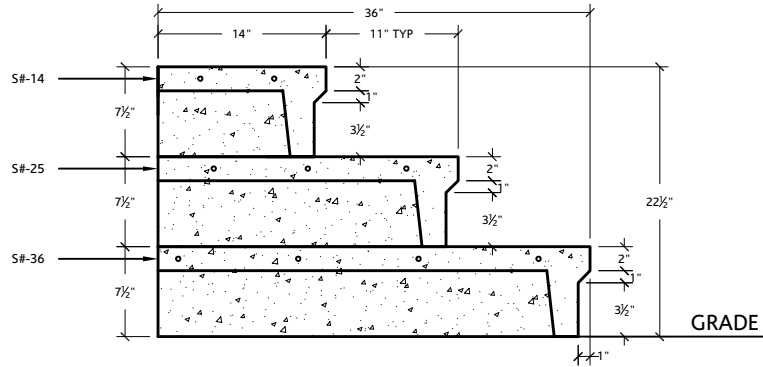
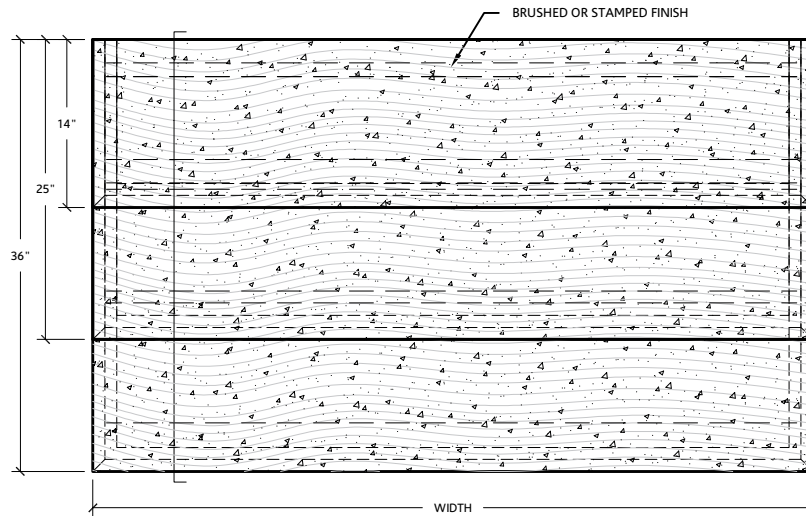


SECTION VIEW



PLAN VIEW



NOTES:

1. CONTRACTOR TO REFER TO ARCHITECTURAL SPECIFICATIONS FOR COLOUR, FINISH AND VALUE ADDED FEATURES.
2. AVAILABLE IN 3', 4', 5', 6', 7', 8', 9' & 10' WIDTHS
3. STEP CONTAINS 3 SEPARATE STEPS, SEE SECTION VIEW



STACKING STEP 3 RISE

S#-3

ED'S CONCRETE PRODUCTS
1266 ERIE STREET
STRATFORD, ONTARIO
N4Z 0A1

1-877-265-6590
www.edskoncrete.com
info@edskoncrete.com

