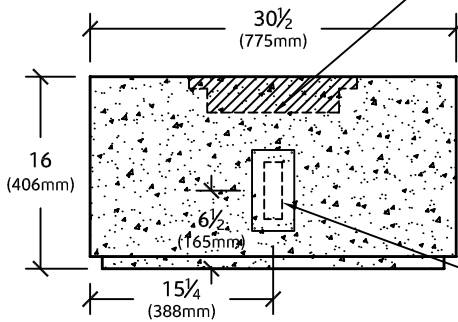
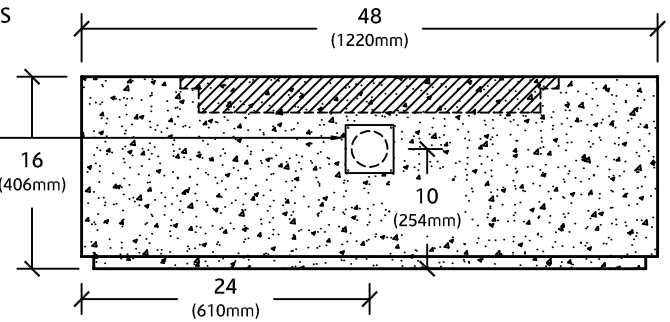


PLAN VIEW



FRONT ELEVATION VIEW



SIDE ELEVATION VIEW

1" INSET x 14" x 26 1/4",
TO ACCEPT 55K BTU
STAINLESS STEEL BURNER
FOR EITHER PROPANE OR
NATURAL GAS. INCLUDES
GLASS BEAD MEDIA

3" DIAMETER VENT
HOLE ON EACH
END. C/W 4"x4"
PLATE COVERING

1 1/2" x 4 3/4"
THROUGH HOLE FOR
CONTROL VALVE
C/W 3 1/2" x 6 3/4"
PLATE COVERING

1" INSET x 14" x 26 1/4",
TO ACCEPT 55K BTU
STAINLESS STEEL
BURNER FOR EITHER
PROPANE OR NATURAL
GAS. INCLUDES GLASS
BEAD MEDIA

3" DIAMETER VENT
HOLE ON EACH
END. C/W 4"x4"
PLATE COVERING

1 1/2" x 4 3/4"
THROUGH HOLE FOR
CONTROL VALVE
C/W 3 1/2" x 6 3/4"
PLATE COVERING

NOTES:

1. CONTRACTOR TO REFER TO ARCHITECTURAL SPECIFICATIONS FOR COLOUR, FINISH AND VALUE ADDED FEATURES
2. SUBMIT COLOUR AND FINISH SAMPLES FOR APPROVAL
3. WEIGHT OF GAS FIREPIT RECTANGLE - 800 lbs



GAS FIREPIT

FIREPIT RECTANGLE

ED'S CONCRETE PRODUCTS
1266 ERIE STREET
STRATFORD, ONTARIO
N4Z 0A1

1-877-265-6590
www.edskoncrete.com
info@edskoncrete.com

