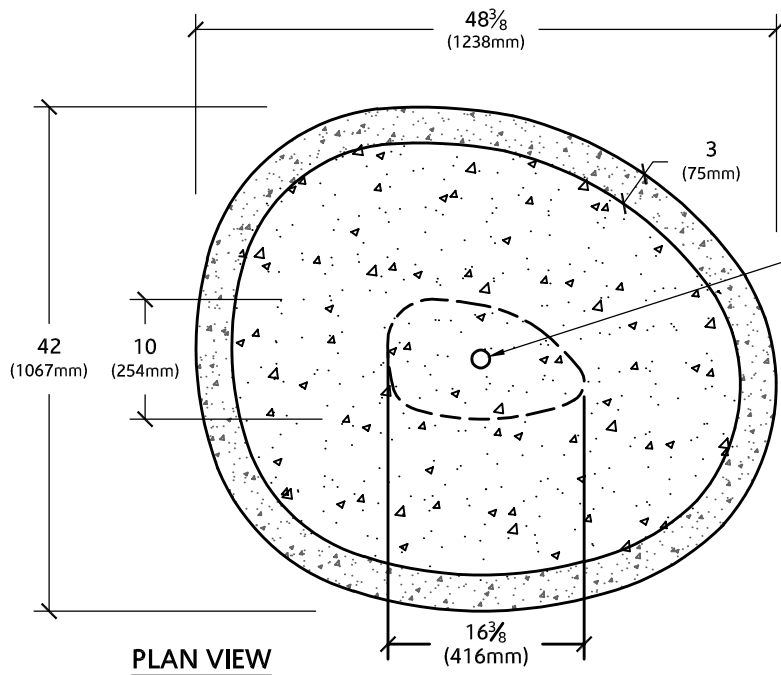


PLANTER MUST BE FILLED WITH MIN 6" CLEAR STONE AND FILTER CLOTH BELOW BEDDING SOIL

TYPICAL 1 1/4" DRAINAGE HOLE, ENSURE HOLE IS ALWAYS CLEAR AND FUNCTIONING



TYPICAL CAST IN 1 1/4" DRAINAGE HOLE

**NOTES:**

1. CONTRACTOR TO REFER TO ARCHITECTURAL SPECIFICATIONS FOR COLOUR, FINISH AND VALUE ADDED FEATURES
2. SUBMIT COLOUR AND FINISH SAMPLES FOR APPROVAL



**WOK PLANTERS**

**W-484220**

ED'S CONCRETE PRODUCTS  
1266 ERIE STREET  
STRATFORD, ONTARIO  
N4Z 0A1

1-877-265-6590  
www.edskoncrete.com  
info@edsconcrete.com

